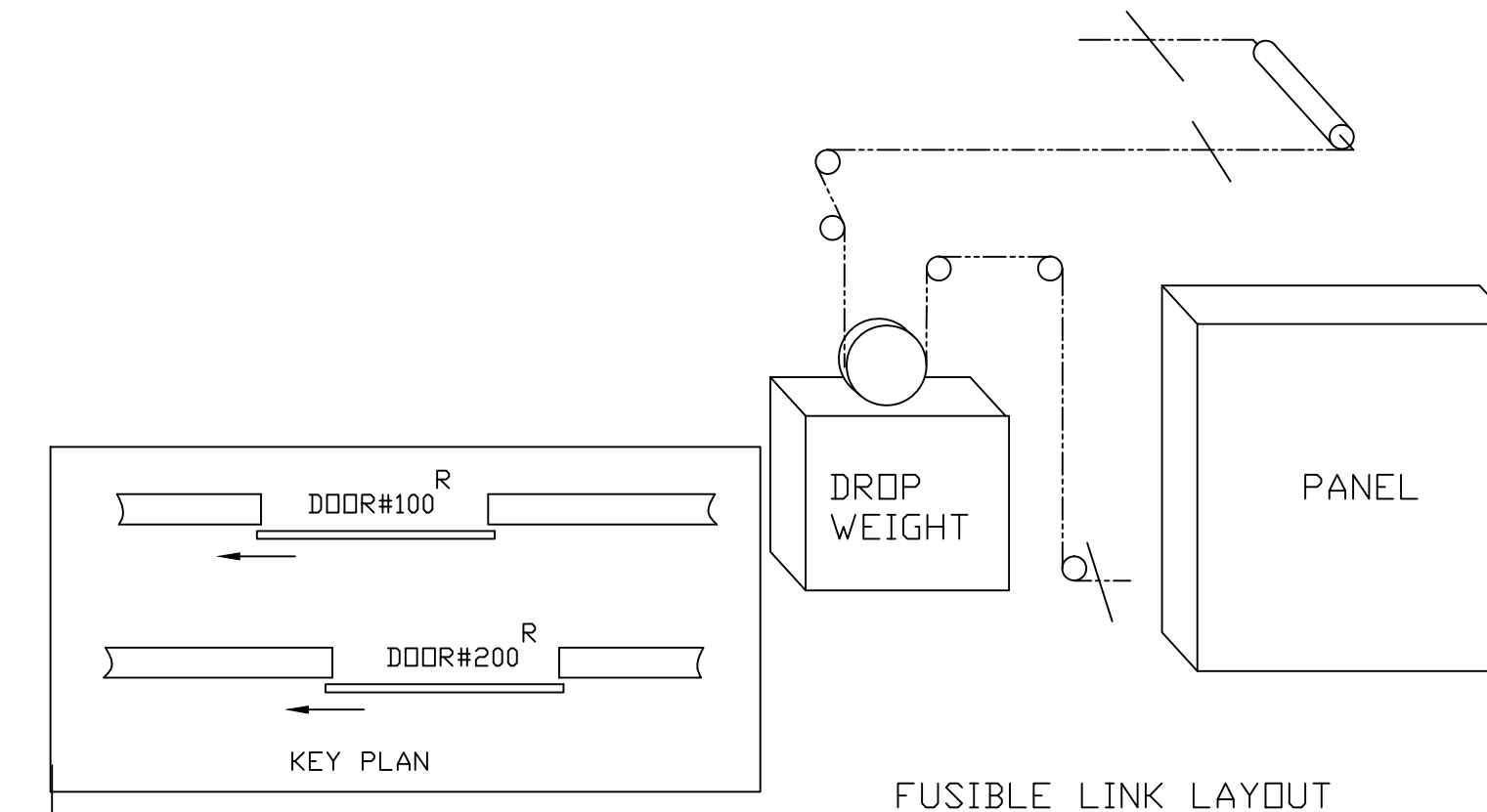
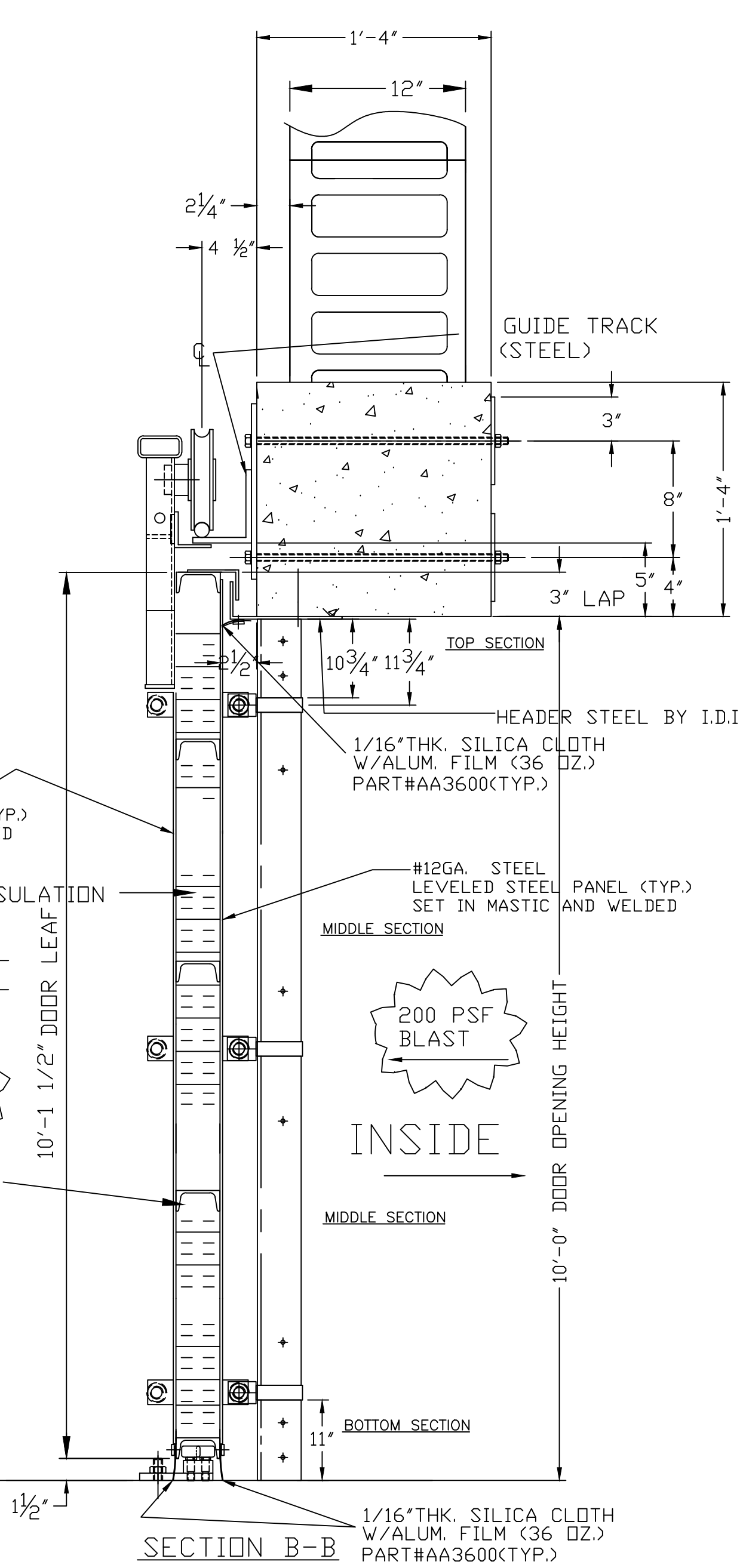
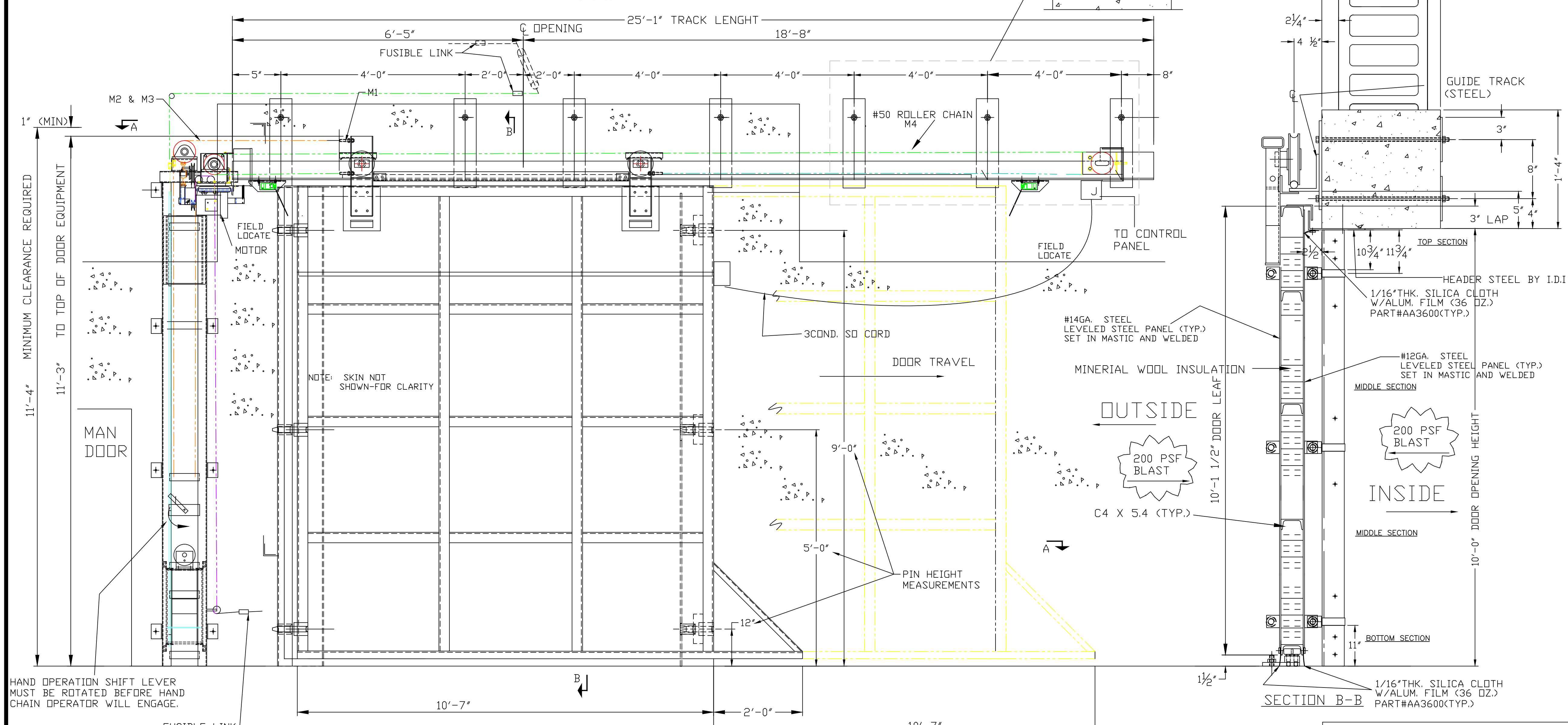
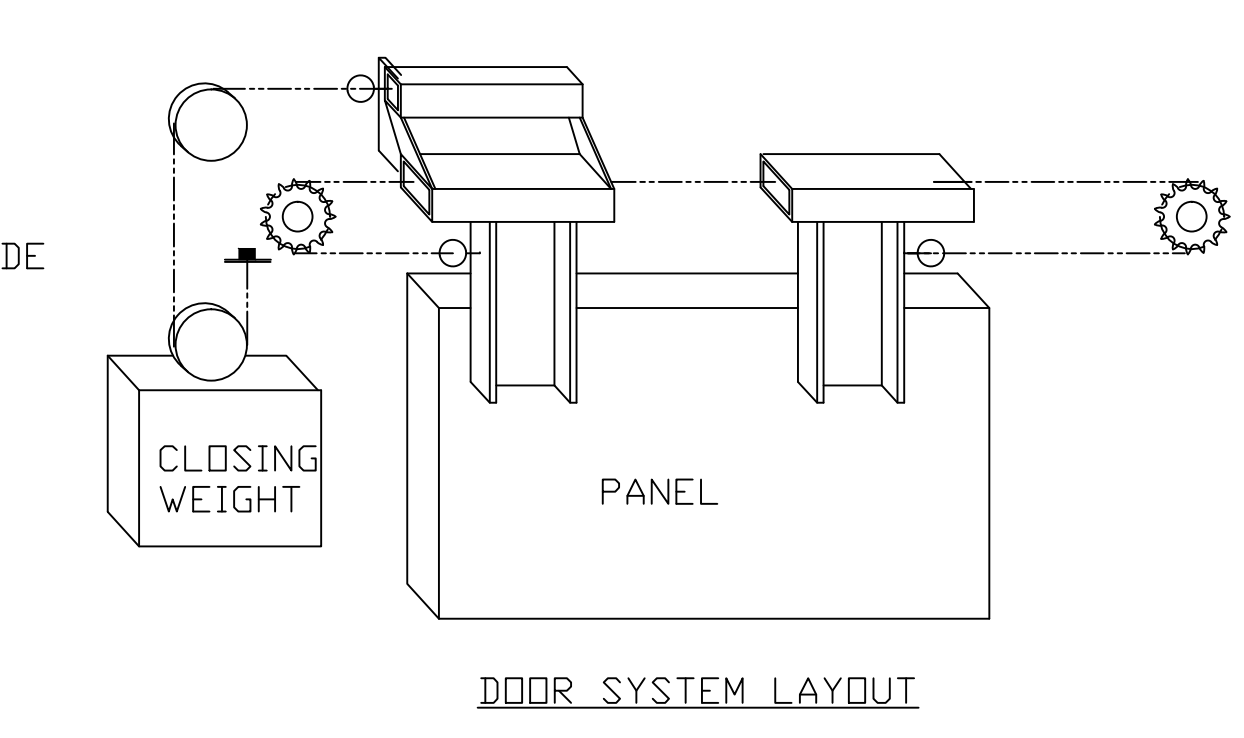


MOTOR OPERATOR - SHOP WIRED TO TERMINAL BOX

- 3/4 HP. MOTOR-460V-3Ø-60HZ (CLASS 1 DIVISION 2)
- SOLENOID DISC BRAKE
- SAFETY CLUTCH
- V-BELT GUARD
- HAND CHAIN & SHIFT DEVICE

HAND OPERATOR GEAR REDUCER

- NOTE: IF ANY FUSIBLE LINK BREAKS FOR ANY REASON, OPERATOR DIS-ENGAGES AND DOOR AUTOMATICALLY CLOSES, GOVERNOR CONTROLS SPEED OF CLOSING



EXTERIOR ELEVATION  
HORIZONTAL SLIDE DOOR

(1) REQ'D AS (SHOWN) DOOR# \_\_\_\_\_  
(2) REQ'D AS (OPP. HAND) DOOR# 100, 200

Hand operation shift lever must be rotated before hand chain operator will engage.

DO NOT SCALE DRAWING

	TO FIELD	
	TO SHOP	
	SENT FOR APPROVAL -E-MAILED	
REV	DATE	BY

INTERNATIONAL DOOR, INC.  
(734) 459-3000

8001 Ronda Dr. Canton, Michigan 48187

PROJECT:  
WORTHINGTON INDUSTRIES INC.  
CHILTON, WISCONSIN

(CLASS 1 DIVISION 2) (FIRE DOOR) 200 PSF BLAST

DRAWING TITLE:  
GENERAL ARRANGEMENT FOR HORIZONTAL SLIDE DOOR - DOUBLE SKIN -INSULATED WITH ELECTRIC OPERATOR

DOOR NUMBER: \_\_\_\_\_ OPENING SIZE: 10'-0" X 10'-0"

ARCH.		
CONTR.		
DRAWN: DPR	DATE 09/20/07	JOB NO.
CHECKED: DS	CUSTOMER NO.	SHEET OF
APPROVED: DS		